



# SERVICE JACKS SCORPION TJ14

## NO NEED FOR OTHER JACKS

- TIME IS MONEY! THE SCORPION TJ14 JACK INCREASES THROUGHPUT LIFTING A TRUCK IN SECONDS RATHER THAN SEVERAL MINUTES.
- SAFETY IS PARAMOUNT! THE SCORPION TJ14 HAS 3 STAGE SAFETY LOCK. NO OTHER JACK HAS LOCKS.
- THE SCORPION TJ14 CAN LIFT ON THE AXLE, OR ON THE FRAME, LIFTS TRAILERS, AND OTHER EQUIPMENT.

**IDEAL FOR ALL HEAVY-DUTY TRUCK AND BUS REPAIR SHOPS. PERFORM SERVICE ON WHEELS AND TIRES, BRAKES, SUSPENSION, ALIGNMENT & MUCH MORE.**



- Handle extends to 9 Ft.
- Lower the Scorpion's handle and it glides easily under the lowest truck axles and the deepest overhangs

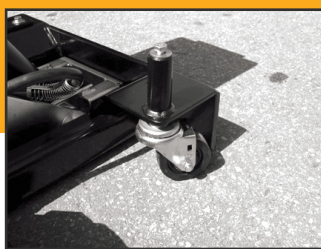
- Easy to use control handle up & down buttons detachable pendant remote
- The Scorpions vertical handle provides a comfortable working position... no more back pain



# FLOOR JACKS SCORPION TJ14



Low profile only 8.25"



Full floating casters very maneuverable.



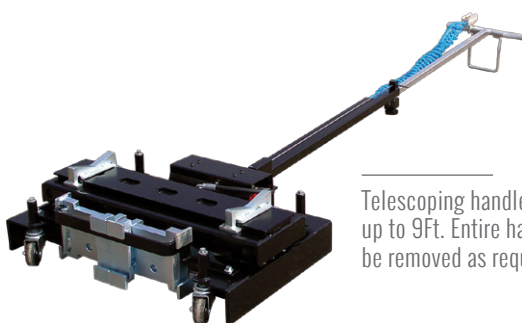
Built in 3 stage safety lock no stands required.



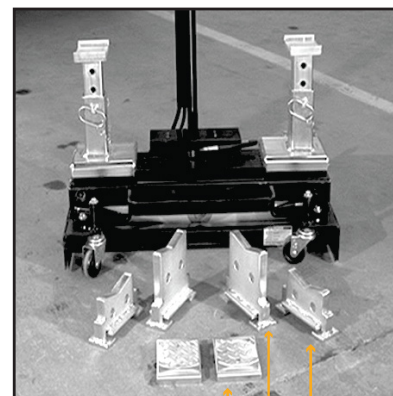
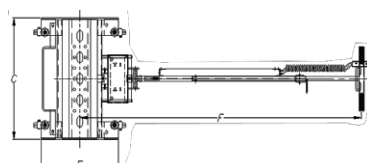
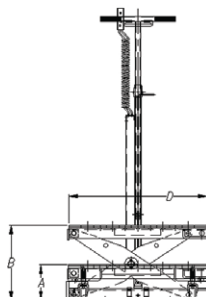
Control handle with detachable pendant remote control.

## TJ14 Features

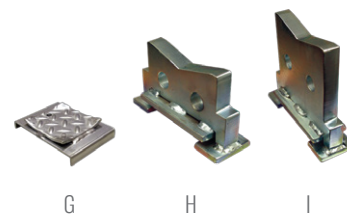
- 28,000 lb. capacity 14 tons
- Only 8.25" tall, goes under the lowest trucks
- Two points of contact when lifting, safer
- Air/hydraulic design NO PUMPING REQUIRED
- Lifts over 20" with a built in 3 stage safety lock  
No need for vehicle stands
- Full floating casters for easy maneuvering
- Very small foot print doesn't take up much room
- A selection of three different saddles low/med/high
- Saddle storage right on the jack
- Comfortable control handle extends up to 9ft



Telescoping handle extends up to 9ft. Entire handle can be removed as required



Trailer Adapters G I H



Model	A	B	C	D	E	F	G	H	I	CAPACITY	SHIPPING
<b>TJ14</b>	8.5	18	34	33	21.5	65-108	0.5	4	7	28,000 lb	349 lb
	21.59cm	45.72cm	86.36cm	83.83cm	53.96cm	165-274cm	1.27cm	10.16cm	17.78cm	12,727.27 Kg	158.63 Kg

Dealer/Distributor

In line with our policy of continuing research & development, modifications in design, dimensions, and appearance are incorporated periodically. Therefore, we reserve the right to alter design, dimensions, and appearance etc., without notice.

