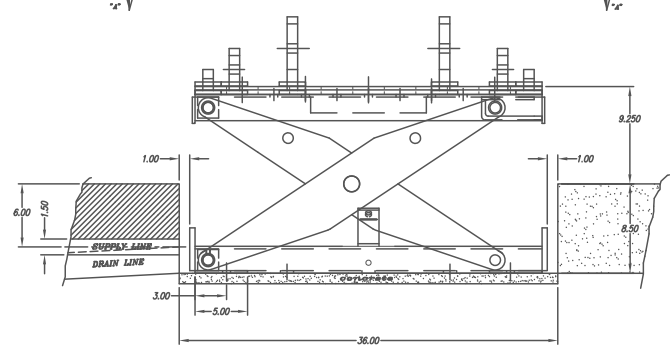
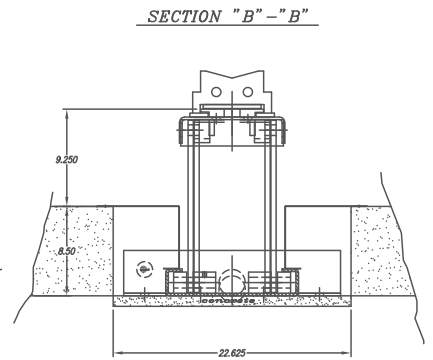


DWG. NO.		REFERENCE DWGS.			
TOLERANCES					
Class Of Accuracy	Nominal Dimension (INCHES)				Application
Fine	> 0.125	> 1.125	> 4.75	> 18	
	> 1.125	> 4.75	> 18	> 48	
Medium	> 0.002	> 0.004	> 0.008	> 0.015	
	> 0.004	> 0.008	> 0.015	> 0.030	
Coarse	> 0.008	> 0.015	> 0.030	> 0.060	
	> 0.015	> 0.030	> 0.060	> 0.120	
Very Coarse	> 0.030	> 0.060	> 0.120	> 0.250	
	> 0.060	> 0.120	> 0.250	> 0.500	

UNLESS STATED OTHERWISE MACHINED SURFACE FINISH SHALL BE - 125

BILL OF MATERIAL					
ITEM	QTY.	DESCRIPTION	MATERIAL	NOTE	WT.



ISSUE	BY	DESCRIPTION	CHECK	APP'D	DATE
REVISIONS					
TJ12 INGROUND FLUSH (OPENED SCISSORS)					
DRAWN	CHECKED	ENGINEER	PROJ. ENGINEER	PROJ. MANAGER	SCALE
S.C.	B.S.				1" = 6"
DATE	DATE	DATE	DATE	DATE	
OCT, 08					
CAD FILE NAME		DWG. No.		ISSUE	
SDTJ1210					
CAD PLOT DATE		THIRD ANGLE PROJECTION		SHT OF X	
OCT, 08		SDTJ1210		1 OF X	